

Series E9 Hi-Amp Circuit Breaker

Auto, Manual & Switchable Reset Circuit Breakers

Specifications

Single Pole Thermal Type Breakers

Applications: Typically used in auxiliary and accessory circuits in truck, bus, RVs and marine systems. Others include battery chargers and DC audio systems. compartment and bilge area applications.

Rating: 25-250A, 30Vdc; 48Vdc

Interrupt Rating: 3000A @ 30Vdc

Operating Temperature Rating: -25°F (-32°C) to 180°F (82°C)

Storage Temperature Rating: -30°F (-34°C) to 300°F (149°C)

Materials: Black UL-rated 94V0 thermoset plastic. Thermoplastic elastomer stud insulators are provided on covered units with F-style (surface-mount) bases

Marking: Standard marking includes amp ratings and part numbers. Custom markings also available.

Termination: 1/4-28 or 3/8-16 threaded studs

Torque Rating: 50 in-lbs (5.6N•m) max

Mounting Torque Rating: Panel or surface-mount options; 50 in-lbs (5.6N•m) max. Threaded insert option has a max torque of 25 in-lbs (2.8N•m).

Ingress Protection Rating: Ip67

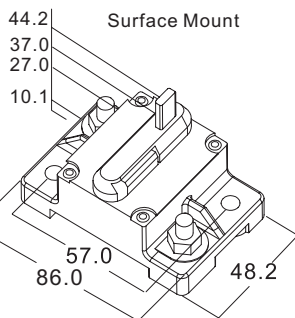
Features / Options: Series E95&E96&E98&E99&E92&E93 have a unique reset mechanism which provides visual indication

Off tripped condition. Series E96&E99&E93 also features a push-to-trip option

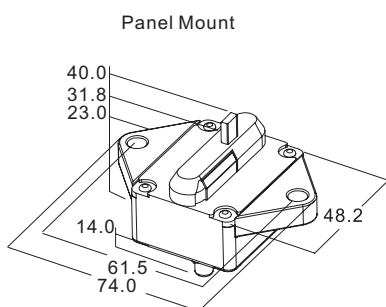
Compliances: SAE J1625; ABYC E-11; CE; SAE J1171 (ignition protected)



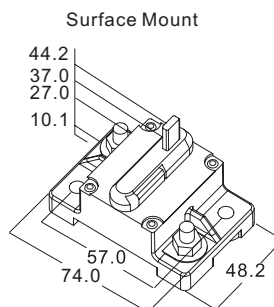
Dimensions -mm (Dims. shown are for reference only. Consult factory for latest prints)



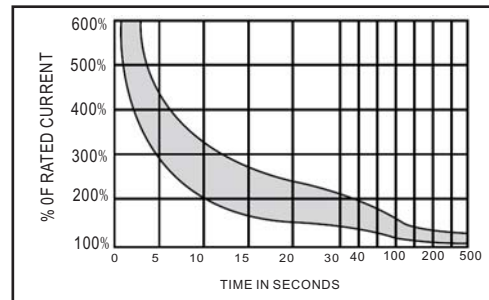
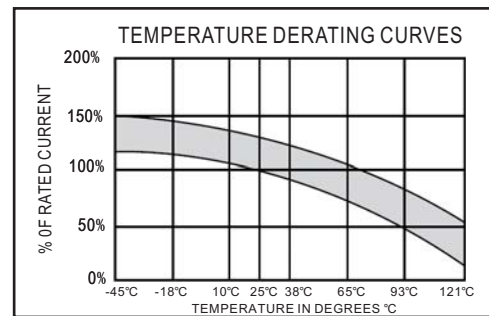
*Overall heights of Series E91&E92&E93
1/4-28 Studs or
3/8-16 Studs



*Overall heights of Series E94&E95&E96
1/4-28 Studs



*Overall heights of Series E97&E98&E99
1/4-28 Studs



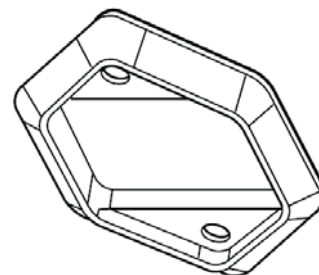
Part Numbering System

Series
□□□

Rating
□□□

E91 -Type I, 30V
E92 -Type III, 48V
E93 -Type III, 48V
E94 -Type I, 30V
E95 -Type III, 48V
E96 -Type III, 48V
E97 -Type I, 30V
E98 -Type III, 48V
E99 -Type III, 48V

025 -25 amps
030 -30 amps
035 -35 amps
040 -40 amps
050 -50 amps
060 -60 amps
070 -70 amps
080 -80 amps
090 -90 amps
100-100 amps
110-110 amps
120-120 amps
130-130 amps
135-135 amps
140-140 amps
150-150 amps
175-175 amps
180-180 amps
200-200 amps
250-250 amps (E91&E92 Only)
300-300 amps (E91 Only)



Flange mount gasket for thru-wall applications (option 07)